

**WARNING..Do not attempt to return any switch that has been modified. Be certain that this product will fit your transmission.**

### **Mounting Instructions**

Block wheels and set hand brake before starting the installation. Install the switch on the shaft of the transmission that the shifter linkage is connected to. Remove the nut that holds the shifting arm to the selector shaft and slide on the switch. Install the nut on the shaft and tighten. If major modifications are necessary to mount the switch, you probably have the wrong switch / trans combination.

**Caution: Exercise care when tightening the nut, if over tightened, the switch will be damaged.**

### **Wiring Instructions**

The red wires with the blue stripe are for the neutral safety switch connection and the black wires with the pink stripe are for the back-up lights.

#### **Neutral Safety Switch Connection**

This circuit interrupts the wire running from the ignition switch to the starter solenoid not allowing the starter to be engaged unless the transmission is in park or neutral.

If you are using our Component Panel wiring kit our purple and blue wires will plug right in, if not locate the wire running from the ignition switch to the starter solenoid and install the terminals provided. Plug the wires into the connector (provided) and then plug the connector into the neutral safety switch.

#### **Back-Up Light Connection**

Run a wire from a 12 volt ignition source and from the back-up lights down to the N/S switch and install the terminals provided. Plug the terminals into the connector (provided) and then plug the connector in to the switch.

### **Testing the Circuit**

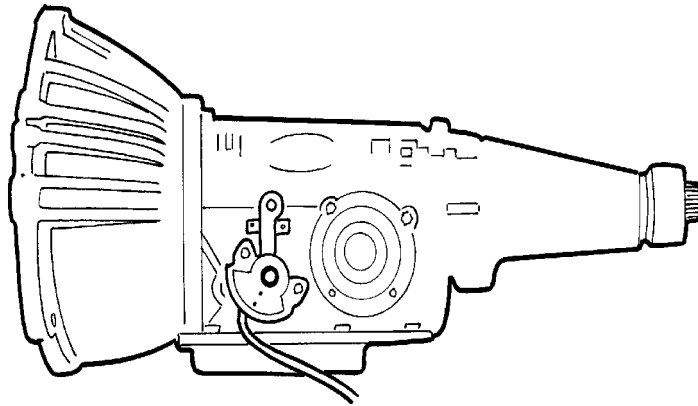
Disconnect the coil or distributor wire so the engine cannot start. Try cranking the engine in all gears. The engine should crank in PARK and NEUTRAL position only.

**Caution... Since this is the switch that prohibits starting in gear, extreme care should be taken to check initial adjustment and periodic checks to assure that the vehicle will not start in drive or reverse. and cause injury or damage to driver, passengers, the vehicle or anyone nearby. THIS IS A MUST! We cannot be responsible for final adjustment.**

# NS-450

## Neutral Safety Switch

Fits Ford C-4 Transmissions



A Product of: **RON FRANCIS WIRING®**

©Ron Francis 1981-1993 rev 10-94  
P:\INST\NS-450